



Number: (Twin) 3/72
Subject: Valve Gear
Model: A65
Date: 3/28/72

SERVICE BULLETIN

BSA MOTORCYCLE CORPORATION A subsidiary of The Birmingham Small Arms Company Incorporated, Verona, New Jersey
Duarte, Calif. 91010, P. O. Box 275
Towson, Baltimore, Md., P. O. Box 6790 21204

IMPROVED A65 VALVE GEAR

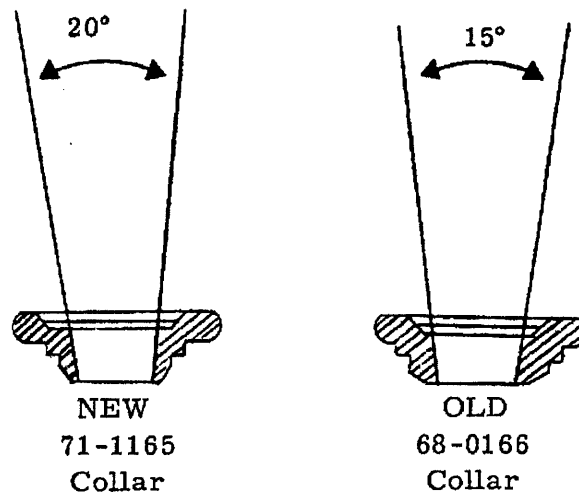
The 1972 A65 is fitted with an improved valve spring top collar (71-1165) and split collets (71-1166). The new collar and collet have a 20° included angle instead of the 15° angle previously used. The new parts provide a more positive arrangement and will not pull through under heavy spring pack or high rpm.

These new parts will replace the old parts -- Collar 68-0166 and Collet 68-0158 -- without any modification to the valve stem.

CAUTION

UNDER NO CIRCUMSTANCES SHOULD THE OLD AND NEW PARTS BE USED TOGETHER.

Always check the fit of the collets in the collar by slipping the collar on a valve stem. Install the collets on the valve stem groove, slide the collar onto the collets, and check that the taper of the collets matches the taper in the collar.



AGS